

Stage 2: For-treat Standards

RULES: USPSA Competition Rules, Latest Edition

COURSE DESIGNER: Pamela Harper

START POSITION: Handgun: Facing downrange with toes on X marks, wrists below belt. Handgun is loaded and holstered. PCC: Facing downrange with toes on X marks. PCC is loaded and held with both hands with stock on belt and safety on.

STAGE PROCEDURE

String 1: From either set of X's, upon audible start signal, engage 5 targets with only one round each freestyle, perform a mandatory reload and engage the remaining targets with only one round each strong hand only.

String 2: From opposite set of X's as string 1, upon audible start signal, engage 5 targets with only one round each freestyle, perform a mandatory reload and engage the remaining targets with only one round each weak hand only.

SCORING

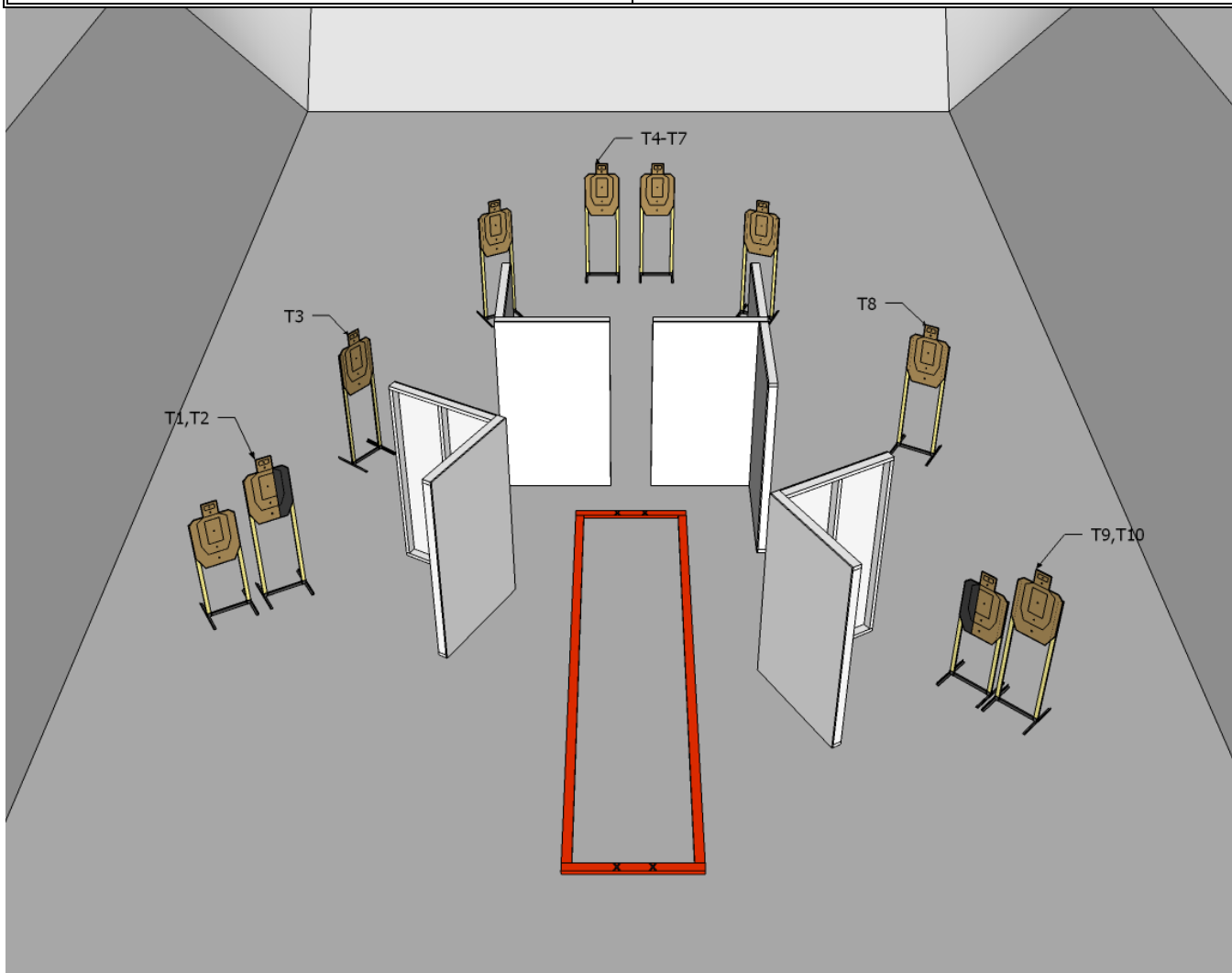
SCORING: Virginia Count, 20 rounds, 100 points

TARGETS: 10 USPSA

SCORED HITS: Best 2 per cardboard

START-STOP: Audible - Last shot

PENALTIES: Per current edition of USPSA Competition Rules

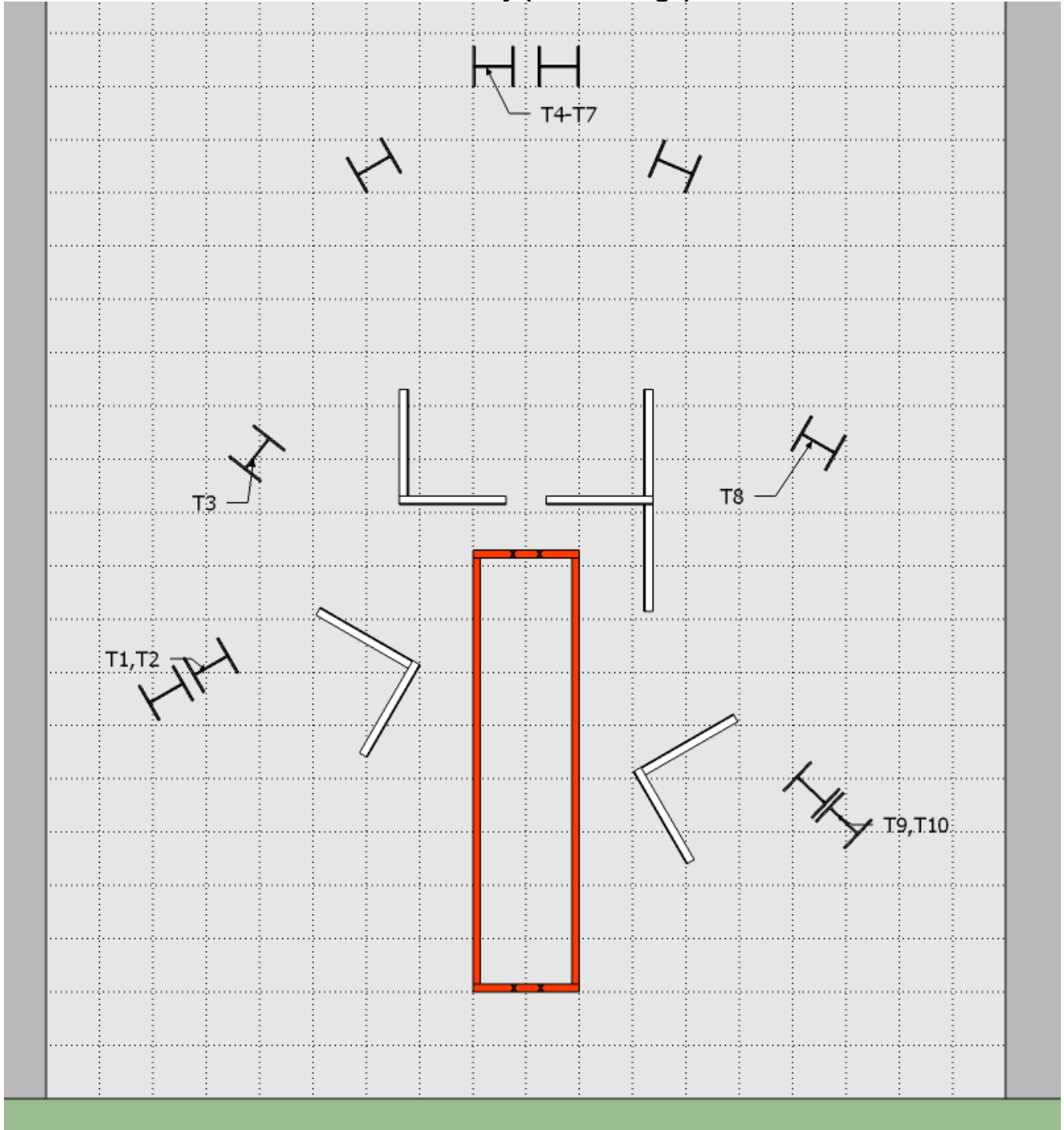


SETUP NOTES:

RO NOTES:

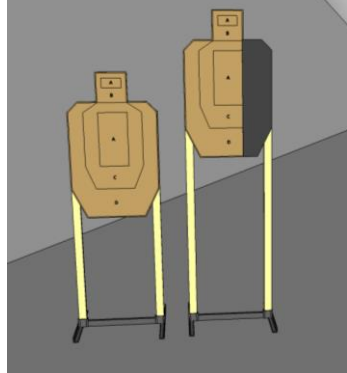
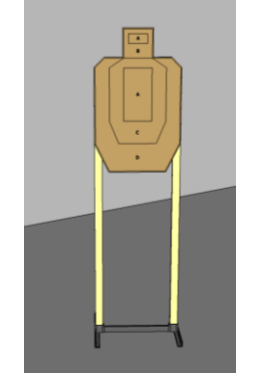
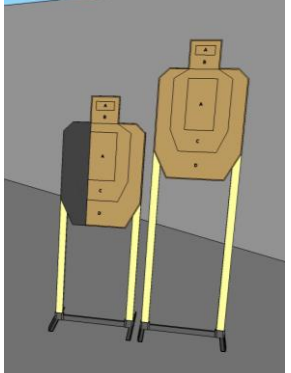
Overhead view, Stage 2: For-treat Standards, 2' x 2' grid

Back of Bay (Down Range)



Front of Bay (Up Range)

Target Details, Stage 2: For-treat Standards

T1, T2	T3-T8	T9, T10
		
5' to top of tall target	5' to top of target	5' to top of tall target